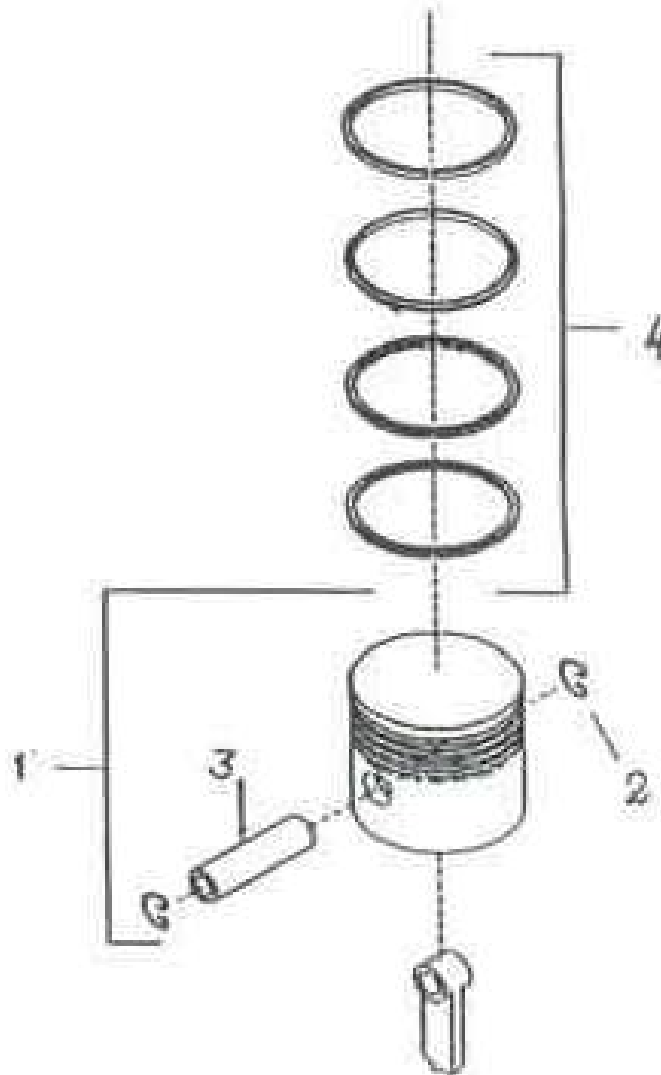


## 5. Piston & Ring Assembly 5.5 Inch - Model 15T2



All manufacturer's names, numbers, photos, product description and/or part numbers are used for reference purposes only & it is not implied that any part listed is the product of these manufacturers. Since Approvement are made from time to time, the illustration and specifications are subject to change without notice.

## 5. Piston & Ring Assembly 5.5 Inch - Model 15T2

Ref. No.	Component Number	Description	Qty. per Assly.	Spares		
				1	2	3
6-1	30215222	Piston Pin Assembly 5.5"	1		1	1
6-2	30288450	Ring Lock	2			
6-3	30288427	Pin Piston	1			
6-4	32194144	Set Piston Ring 5.5" LP	1	1	1	2

All manufacturer's names, numbers, photos, product description and/or part numbers are used for reference purposes only & it is not implied that any part listed is the product of these manufacturers. Since Approvement are made from time to time, the illustration and specifications are subject to change without notice.